

KNC-PLC-KS12 - Expansion Modules



FEATURES

- **8 or 16 Inputs**
- **Sinking or Sourcing Configuration**
- **Rated for 3.5 mA @ 24 Vdc**
- **Inputs are Opto-isolated**
- **LED Display to Monitor Running Conditions**
- **Easy Maintenance and Installation**



DESCRIPTION

The PLC-K521 series of Discrete Input Expansion Modules are offered with either 8 or 16 inputs. These modules are attached to the PLC-K5 CPUs to expand beyond the onboard inputs. The PLC-K5 CPU series can handle up to 136 I/O points with a maximum of 6 expansion modules. If a user were to select the PLC-K508-40AT, equipped with 40 I/O points, and an additional 6 PLC-K521-16DX units, the user would achieve the maximum 136 I/O points within the constraint of 6 expansion modules. The PLC-K521-__DX modules come with the option to either sink or source the inputs; each input is rated for 3.5 mA. All modules are opto-isolated so units are not damaged.

SPECIFICATIONS

Parameter	KNC-PLC-K521-08DX	KNC-PLC-K521-16DX
Input Points	8	16
Input Type	Sinking or Sourcing	
Input Voltage	Rated: 24 Vdc; Maximum: 30 Vdc	
Rated Input Current	3.5 mA @ 24 Vdc	
Discrete Input Voltage of Logic "1"	Normal Input: 11 Vdc @ 2.0 mA High-Speed Input: 18 Vdc @ 2.5 mA	
Discrete Input Voltage of Logic "0"	5 Vdc @ 0.7 mA	
Input Delay • Off-to-On • On-to-Off	Normal Input: 12 µs; High-Speed Input: 8 µs Normal Input: 40 µs; High-Speed Input: 12 µs	
Isolation	Mode: Opto-Isolated Between Input and Internal Circuit Voltage: 500 Vac / 1 Min	
Signal Identification	Separate LED Indicators for Each Channel	
Module Width	50 mm	75 mm

L011959

KNC-PLC-K521 - Discrete Input Expansion Module



EXPANSION

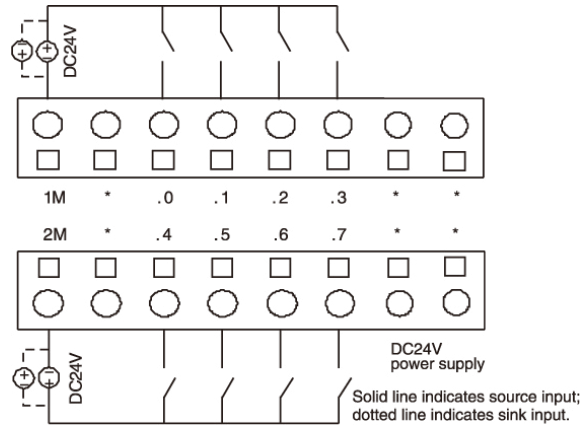


In each system, the CPU module is arranged in the leftmost end, and expansion modules are connected to the expansion interface on the right.

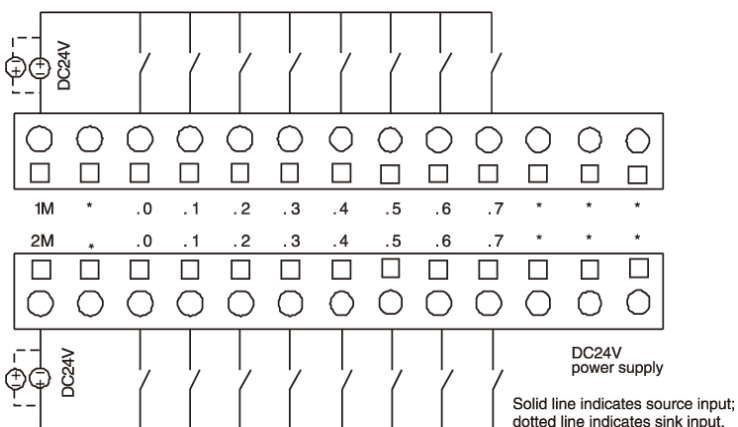
A cable slot is designed on the left side of each expansion module. The expansion cable can be put in the cable slot to ensure seamless interconnection between modules after installing.

WIRING DIAGRAMS

KNC-PLC-K521-08DX



KNC-PLC-K521-16DX



L011959